



Dexpan® Non Explosive Blasting Demolition Agent for Controlled Demolition

What is Dexpan® Controlled Demolition Agent?

Dexpan® [Controlled Demolition](#) Agent is a powder with amazing 18,000 PSI expansive strength when mixed with common water. Poured into holes, Dexpan® breaks reinforced concrete & rock safely and quietly, while providing SILENT cracking demolition. An alternative to explosives blasting, traditional [demolition tools](#) and quarry equipments.

Since Dexpan® provides silent controlled demolition, selective demolition according to drilling patterns, it is very easy to break reinforced concrete and all kinds of natural stone into desired sizes and shapes, without noise, ground vibration or dust.

In Demolition, Concrete Cutting, Rock Breaking, Explosives Blasting & Excavating industry, Dexpan® helps [demolition contractors](#), drilling and blasting contractors to break reinforced concrete or rock into desired sizes and shapes, so they may easily cut off exposed rebars, haul demolished chunks away with a crane or truck without damage remaining part. Dexpan also works underwater demolition by using plastic tubing. Dexpan provides your controlled demolition, selective demolition, controlled blasting and [underwater demolition](#).

In Mining and Natural Stone Quarrying industry, Dexpan® helps quarry owners or blasters to quarry perfect slabs and blocks from limestone quarry, onyx quarry, marble quarry, granite quarry, sandstone quarry, flagstone quarry or any other types of natural stone quarries you are working with. Compares to explosives blasting, Dexpan® avoids waste of valuable stone, high cost of insurance, storage and labor. Dexpan in the hole is the best deal!

An alternative to Explosives Blasting, traditional Demolition tools and Quarry equipments. Dexpan® Demolition Agent can also be applied along with traditional demolition tools like blasting explosives, dynamite, TNT, Nonex, primer cord, wrecking ball, hydraulic breaker, [diamond blade](#) concrete saw, diamond wire sawing machine, chain saw stone cutter and jackhammer (demolition jack hammer) to help cut cost, work time and increase safety, Plus its silent demolition, Dexpan® is perfect for demolition contractors, drilling and blasting contractors who work in the residential, schools, hospitals, airports, and other noise, ground vibration, airblast, dust restricted area.

Dexpan® also does not require blasting permit, blasting license or blasting training. Dexpan helps demolition contractors, demolition consultants, drilling and blasting contractors to work safer, easier, more efficient and cost effective. Blasting and Demolition have never been easier!



[Reinforced Concrete Demolition & Concrete Cutting, Concrete Saws](#)



[Rock Breaking, Rock Blasting & Rock Excavation, Excavating](#)



[Natural Stone Quarrying & Mining, Alternative to Diamond Wire sawing Machine, Chain Saw Stone Cutter Quarry Equipments](#)



[Alternative to Explosives Blasting, TNT dynamite, Nonex, primer cord, Demolition Tools: Hydraulic Breaker, Jackhammer, Diamond blade concrete saw, demolition jack hammer](#)



Dexpan® Non Explosive Blasting Demolition Agent for Controlled Demolition

Depending on rock / concrete temperature, there are 3 types of Dexpan®:

Dexpan® I – (usable temperature of F° 77 ~ 104 or C° 25 ~ 40)

Dexpan® II – (usable temperature of F° 50 ~ 77 or C° 10 ~ 25)

Dexpan® III – (usable temperature of F° 23 ~ 50 or C° -5 ~ 10)



What can Dexpan® Controlled Demolition Agent help you with?



*Packing 1: 44 lbs box
(includes Four 11 lbs bags)
* Packing 2: 11 lbs plastic container
Archer Company USA Inc is the
Manufacturer of Dexpan®.

[See Dexpan® Job Photos](#)

Concrete Demolition and Reinforced Concrete Cutting

- ◆ Demolition of mass reinforced concrete, concrete foundations for machinery, piers, pillars, beams, bridges, retaining walls
- ◆ Partial selective demolition, controlled demolition of various concrete structures
- ◆ Reinforced concrete cutting, concrete breaking and Demolition
- ◆ Underwater demolition of rock or concrete
- ◆ Silent demolition in where you can not use noisy demolition tools like demolition hammer, diamond blade concrete saw, hydraulic breaker, demolition wrecking ball
- ◆ Non Explosive Blasting Demolition when you can not use explosives blasting, TNT dynamite, Nonex, primer cord due to blasting permits, licenses, restrictions and costs.
- ◆ Helps demolition contractors, demolition consultants, drilling and blasting contractors, blasters, mining companies and quarry owners to lower costs and increase safety.

Excavating, Excavation, Rock Breaking and Rock Blasting

- ◆ Excavation of underground rocks (limestone, granite, marble)
- ◆ Rock Excavating, Leveling out rocky land, rock excavation
- ◆ Splitting of boulders, rock breaking and rock blasting
- ◆ Rock and slab breaking and demolition for road expansion
- ◆ Rock demolition for resident development
- ◆ Excavation associated with tunneling, trenching in rock
- ◆ For various types of excavation associated with rock breaking, rock excavating, rock blasting, rock demolition

Indoensia Distributor : PT. Pratama Mitra Abadi Gedung Ariobimo Sentral Building 4th Floor
HR. Rasuna Said Street kav. X-2 No.5, Kuningan – South Jakarta 12950. Phone : +62-21 252 5741
Email : sales@ptpma.co.id



Dexpan® Non Explosive Blasting Demolition Agent for Controlled Demolition

Natural Stone Quarrying, Stone Dimension and Mining

- ◆ Non Explosives Blasting natural stone quarrying of limestone, onyx, marble and granite. Alternative to explosives blasting or hiring blasters.
- ◆ Controlled expansive cracking to avoid waste of valuable stone, achieve perfect slabs and blocks. (Compares to explosives blasting quarrying method)
- ◆ No need to purchase and maintain expensive quarry equipments, like diamond wire sawing machine, chain saw stone cutter, hydraulic breaker, bulldozer
- ◆ for Marble Quarry, Granite Quarry, Limestone Quarry mining

Underwater Demolition, Controlled Demolition Underwater

- ◆ For underwater demolition of rock and concrete

Dexpan® Non Explosive Controlled Demolition Agent

For Controlled Demolition, Reinforced Concrete Cutting, Rock Breaking, Quarrying, Stone Dimension, Mining, Excavating ...



[Preparation] [Drilling] [Mixing] [Filling] [Coverage] [Cracking Time] [CAUTION] [Tips] [Drilling Designs]

Dexpan 3 Easy Steps to succeed: Drill, Mix and Fill

- ⚠ Read safety and operation instruction CAREFULLY before use Dexpan
- ⚠ **Warning! Blowouts may occur! DO NOT** look directly into filled holes.
- ⚠ Safety Goggles, Rubber Gloves and Dust-Proof Mask is Required.

For technical support, call our toll-free **1-866-272-4378** or 575-874-9188 (United States)

Dexpan Preparation



Reinforced concrete foundation, 3'x3'x2'



Choose correct type of Dexpan based on rock

Indoensia Distributor : PT. Pratama Mitra Abadi Gedung Ariobimo Sentral Building 4th Floor
HR. Rasuna Said Street kav. X-2 No.5, Kuningan – South Jakarta 12950. Phone : +62-21 252 5741
Email : sales@ptpma.co.id



Dexpan® Non Explosive Blasting Demolition Agent for Controlled Demolition / concrete temperature.



⚠ Safety goggles, dust mask, rubber gloves, long sleeve cloth are required.



Dexpan Step 1: Drilling



- Drill holes using a hammer drill and appropriate drill bit specific to the rock or concrete type.
- Holes should be drilled no further than **1 ft** (30 cm) apart. Note: In reinforced concrete recommended no more than 8 in (20 cm) apart.
- Recommended hole diameter is **1.5 inches** (3.8 cm), not to exceed 2 in (5 cm). Drill holes should be 80-90% of the depth, do not go through.



Dexpan Step 2: Mixing



- In a flat bottom bucket, combine **0.4 gallons** (1.5 l) of water with one 11 lb. (5 kgs) bag of [Dexpan®](#).
- Mix well (a drill and paddle is recommended). If mixing with a stick or other method, make sure Dexpan® is completely dissolved into the water. Mix to a slurry.

Dexpan Step 3: Filling



- **⚠ Warning!** Use of Dexpan in Extreme Hot Temperature could cause blowouts.
- Clean holes before filling. Using an air hose to remove excess dust from drilling.
- Dexpan® slurry should be poured into holes within **10-15 minutes** after mixing. Do not fill to the top, only fill the holes about 1/2 to 1 inch (2.5 cm) from the top.
- Pour well mixed [Dexpan®](#) slurry into holes. Agitating the Dexpan® in the hole to make sure no air is trapped in holes. Suggestion: Use a rod or stick to poke holes.
- A grout pump might be required to fill horizontal holes. Caps might be needed



Dexpan® Non Explosive Blasting Demolition Agent for Controlled Demolition
for horizontal holes, but only necessary to hold Dexpan® in the holes.

Dexpan Coverage and Cracking Time



Dexpan Coverage:

Normally one 44 lbs (20 kgs) box of Dexpan® can fill up to **35 lineal feet** (10 m) of 1.5 inches (3.8 cm) diameter holes. You might not have to fill every hole depending on application.

Dexpan Cracking or Cutting Time:

Properly mixed, the cracks may appear after 2~8 hours of filling drilled holes, depending on ambient temperature, humidity, rock or concrete hardness. Give it **24 hours** for best results.

WARNING!

IMPORTANT SAFETY PRECAUTIONS and FIRST AID

- ⚠ Read safety and operation instruction CAREFULLY. ([Go to Dexpan Downloads](#))
- ⚠ A pair of **safety goggles**, **rubber gloves** and a **dust mask** is REQUIRED. Avoid eyes, skin contact. Do not breathe dust. If eye or skin contact should occur, rinse it off IMMEDIATELY with plenty of water for at least 20 minutes, and consult doctor.
- ⚠ **WARNING! DO NOT look directly into filled holes as blowouts may occur.**
- ⚠ Keep Dexpan® in DRY storage. SEAL Dexpan container after use.
- ⚠ Select the correct type of Dexpan® based on rock / concrete temperature.

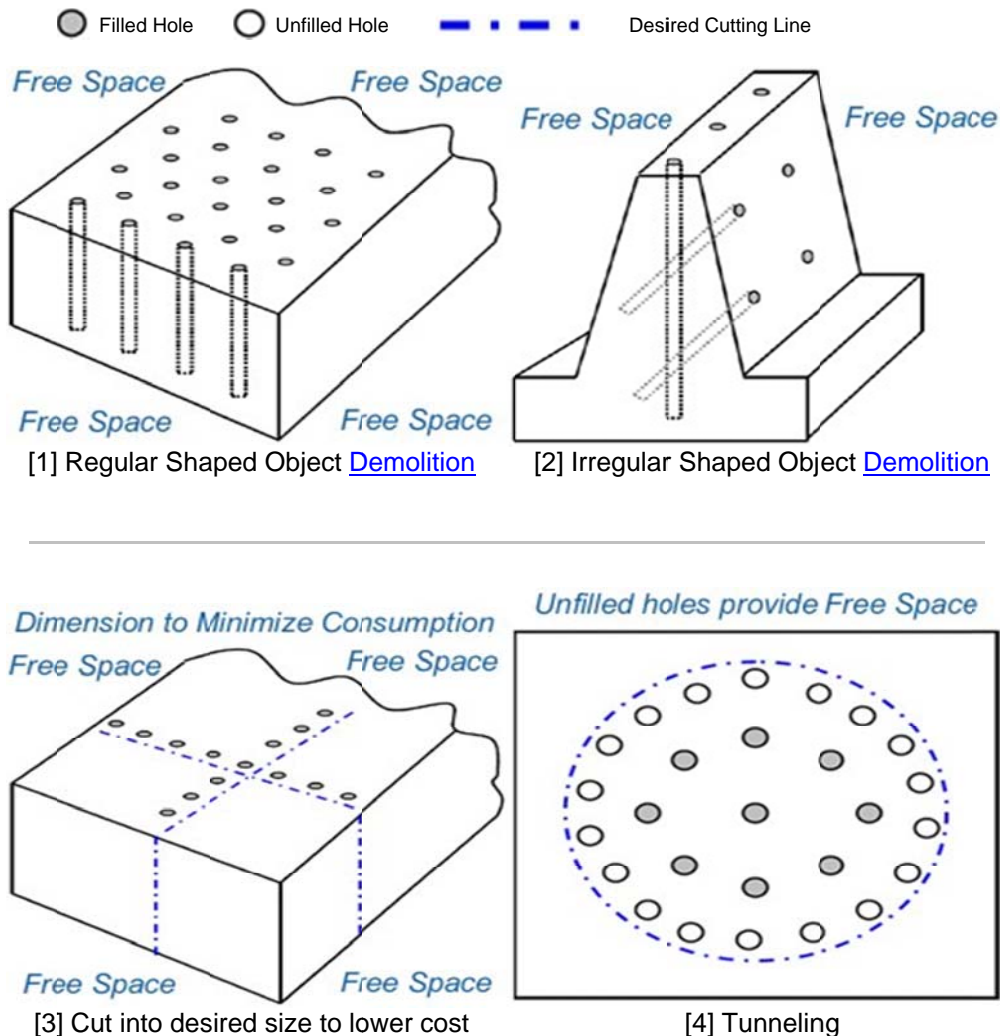
Indoensia Distributor : PT. Pratama Mitra Abadi Gedung Ariobimo Sentral Building 4th Floor
HR. Rasuna Said Street kav. X-2 No.5, Kuningan – South Jakarta 12950. Phone : +62-21 252 5741
Email : sales@ptpma.co.id



Dexpan Usage Tips

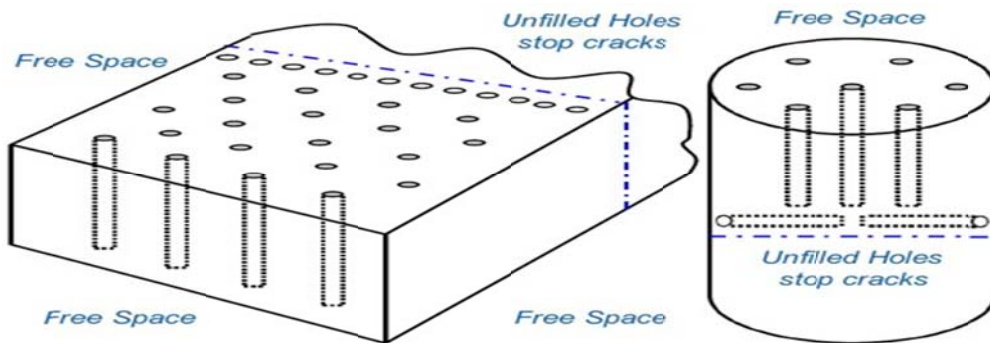
- 💡 Well designed hole drilling pattern will minimize consumption of Dexpan® by cutting into desired sizes.
- 💡 To insure success, Dexpan® needs free space to expand to.
- 💡 For better results, it is important to note both air and material temperature. Material temperature is the temperature inside of the rock or concrete which can be different from the air temperature.
- 💡 In summer, the best time to use Dexpan® is in the morning or evening when material temperature is cool.
- 💡 In summer, cover Dexpan holes from direct sunlight to avoid blow-out. Example: using a tarp or damp hay to provide shade.
- 💡 If Dexpan® completely dries into powder and did NOT crack, pour additional water onto Dexpan® filled holes. ⚠️ Wear goggles, blowouts may occur.

Dexpan Drilling Designs

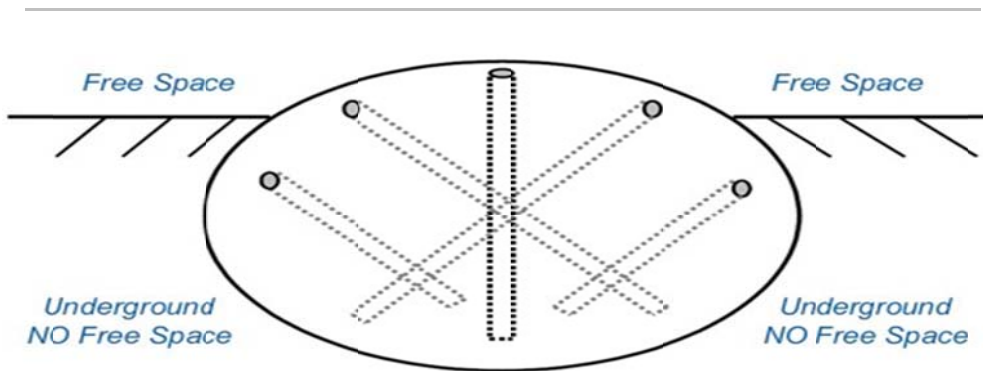




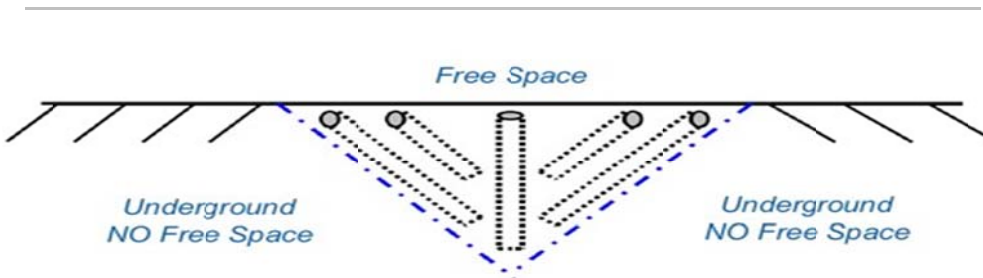
Dexpan® Non Explosive Blasting Demolition Agent for Controlled Demolition



[5 (left)] Partial Demolition with VERTICAL desired cutting line
[6 (right)] Partial Demolition with HORIZONTAL desired cutting line



[7] Underground [rock excavation](#), dig around to provide free space



[8] Trenching, do not need to dig around

Demolition Agent Dexpan, [Dexpan Non Explosive Demolition Agent](#), Dexpan Silent Demolition, Dexpan Controlled Demolition Agent for Non Explosive Demolition, [Concrete Demolition](#), construction demolition, building demolition, demolition DIY, demolition do it yourself project, [Demolition contractors](#). How to use Dexpan Non Explosive Controlled Blasting Demolition Agent

Please see our job photos at

http://www.archerusa.com/nonexplosivesblastingdemolition/product_dexpan_photos.html

Safety information at

http://www.archerusa.com/nonexplosivesblastingdemolition/product_dexpan_safety.html

Indoensia Distributor : PT. Pratama Mitra Abadi Gedung Ariobimo Sentral Building 4th Floor
HR. Rasuna Said Street kav. X-2 No.5, Kuningan – South Jakarta 12950. Phone : +62-21 252 5741
Email : sales@ptpma.co.id